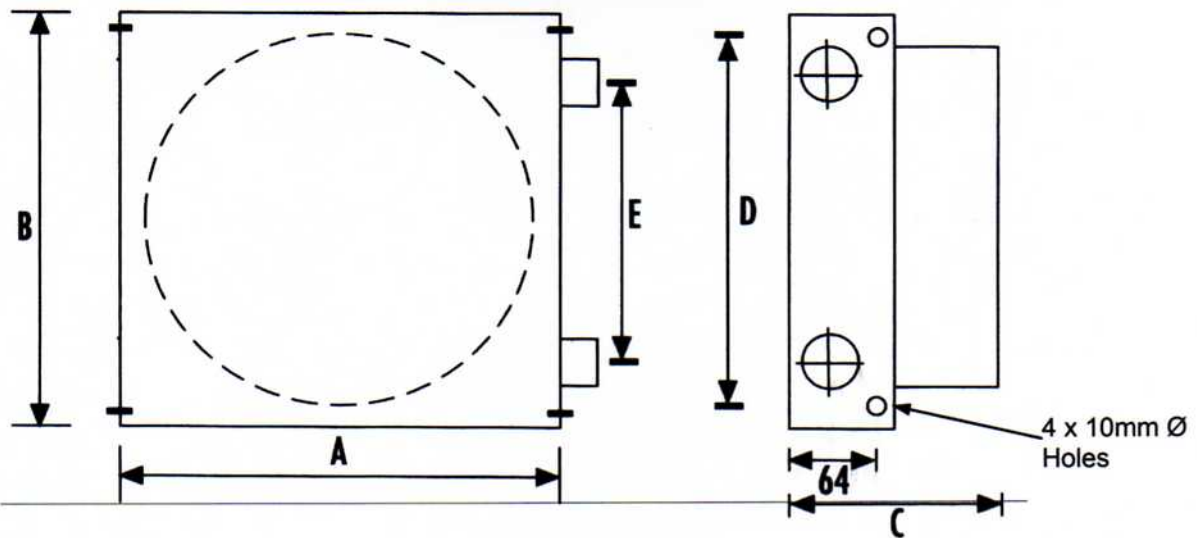
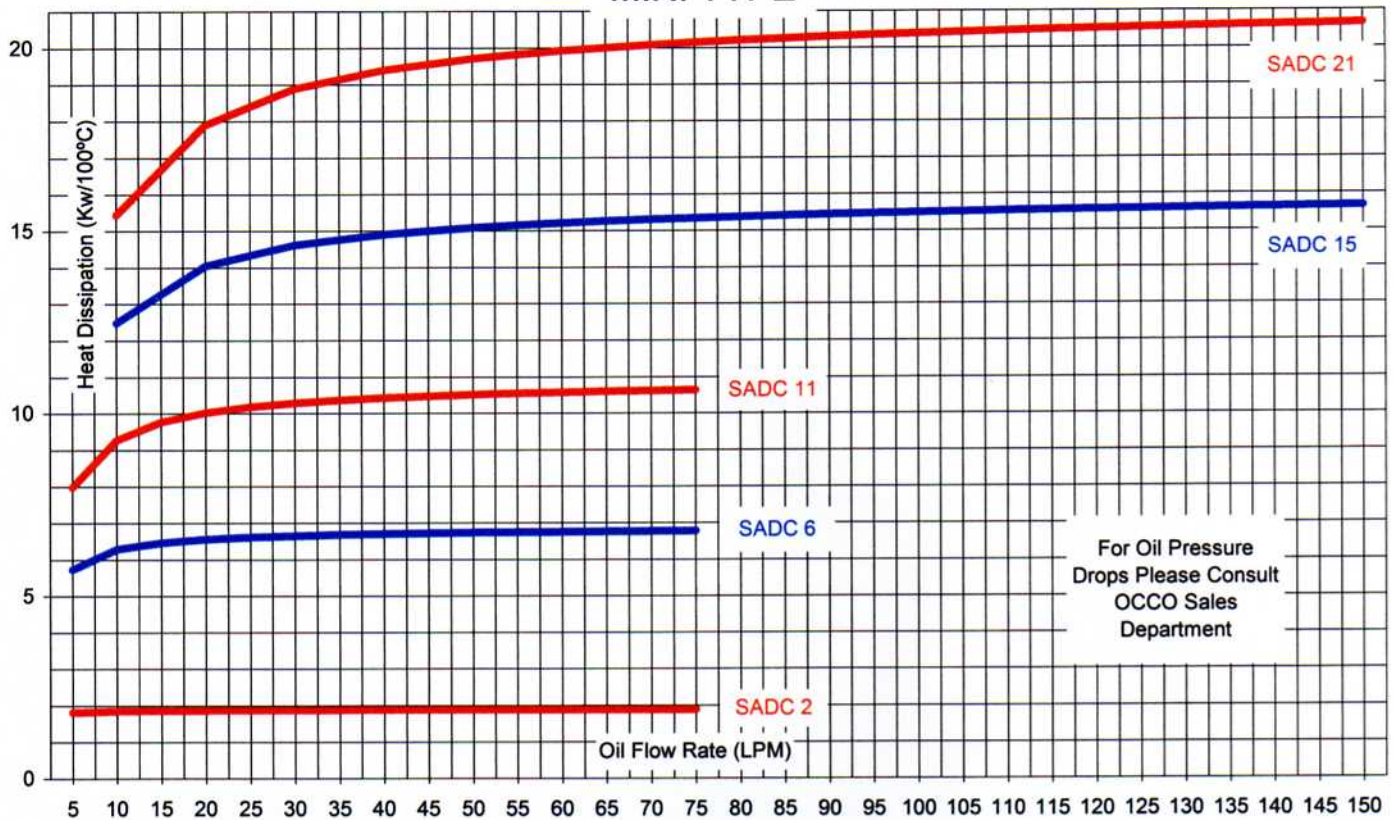


MINI TYPE



Cooler size	A	B	C	D	E
SADC 2	133	210	120	188	132
SADC 6	155	330	140	308	252
SADC 11	205	330	165	308	252

Cooler size	A	B	C	D	E
SADC 15	275	330	150	308	252
SADC 21	350	330	165	318	252

Note:

All dimensions in millimetres and are for reference only and drawings should be obtained for installation purposes. Certified Dim, Drgs, are available if required. Terotechnical information sheets are sent with each cooler, or earlier if requested. We reserve the right to change details with out prior notice.

NOTES ON AIR FLOW

Air flow direction is generally pushing (type "A") from fan, through radiator. Pulling (type "B") versions are available. If critical please consult OCCO.